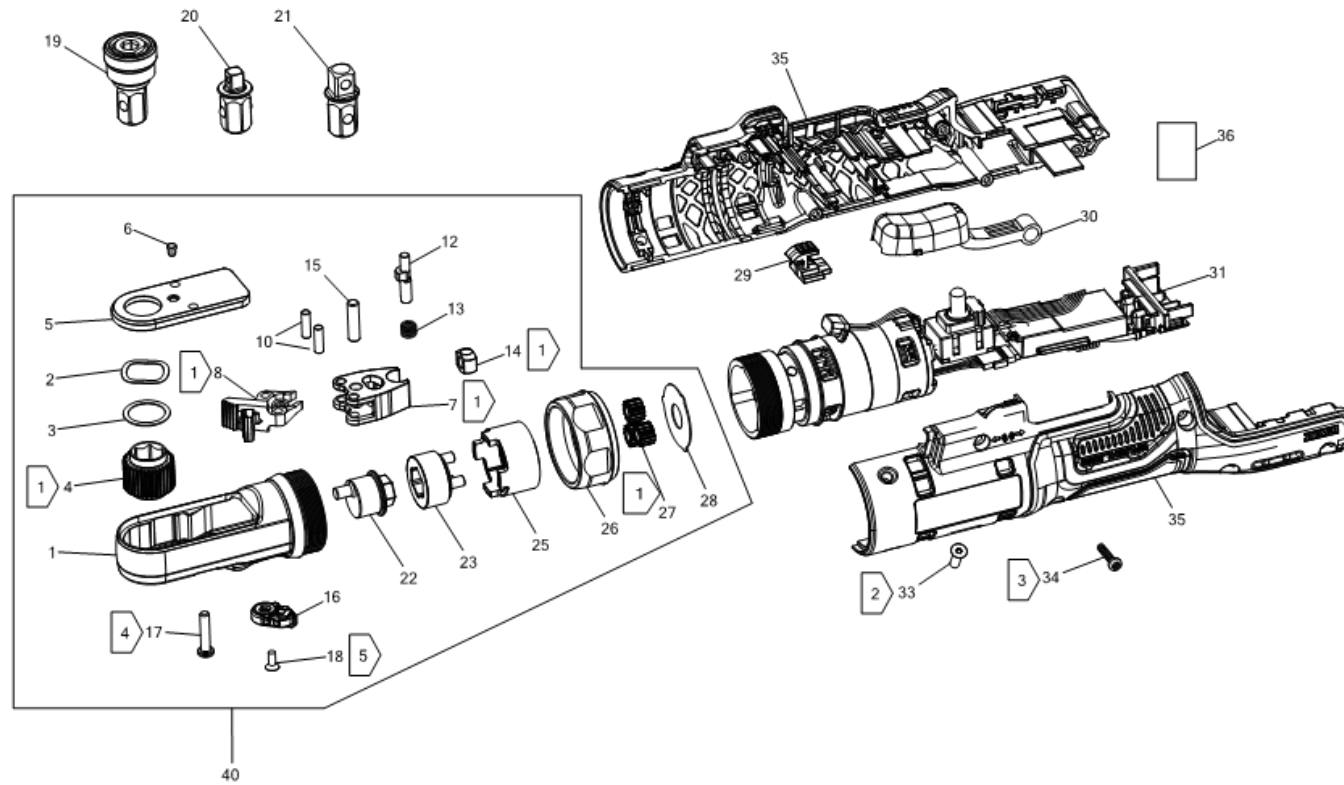
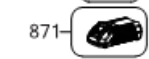


DCF500L2G RATCHET 1



1. ADD GREASE 34138513-00
2. TORQUE TO 1.0 ± 0.1 Nm
3. TORQUE TO 0.7 ± 0.1 Nm
4. TORQUE TO 3.1 ± 0.2 Nm
5. TORQUE TO 1.8 ± 0.1 Nm



Parts List DCF500L2G RATCHET 1

Item	Part Number	Qty	Part Description	General Description	Other Info	Repair Inst	Markets
1	NA552068	1	HEAD SA			No	QW
2	NA121529	1	SPRING			No	QW
3	NA121530	1	WASHER			No	QW
4	N770235	1	GEAR			No	QW
5	N934984	1	PLATE			No	QW
6	NA121531	1	HEAD			No	QW
7	N770428	1	LINK			No	QW
8	NA533807	1	PAWL			No	QW
10	NA007449	2	PIN			No	QW
12	NA103435	1	CAM			No	QW
13	NA121532	1	SPRING			No	QW
14	N770429	1	BUSHING			No	QW
15	NA084956	1	PIN			No	QW
16	NA000528	1	SWITCH			No	QW
17	NA121546	2	SCREW			No	QW
18	NA121526	1	SCREW			No	QW
19	NA142594	1	CHANGE LEVER SA			No	QW
20	N920411	1	DRIVER	1/4"	1/4"	No	QW
21	N925288	1	DRIVER	3/8"	3/8"	No	QW
22	N769501	1	CRANKSHAFT			No	QW
23	NA328719	1	CARRIER SA			No	QW
25	N769502	1	INTERGEAR			No	QW
26	N774939	1	NUT			No	QW
27	NA153966	3	RATCHET			No	QW
28	N820701	1	PLATE			No	QW
29	N878614	1	LOCK			No	QW
30	N720556	1	TRIGGER			No	QW
31	NA531991	1	MOTOR & SWITCH SA			No	QW
33	N891761	4	SCREW			No	QW
34	N463678	5	SCREW			No	QW
35	NA120321	1	HOUSING SA			No	QW
36	NA091972	1	LABEL			No	QW

Parts List DCF500L2G RATCHET 1

Item	Part Number	Qty	Part Description	General Description	Other Info	Repair Inst	Markets
40	NA533804	1	HEAD SA			No	QW
821	NA086900	1	RATING LABEL			No	QW
866	NA330196	2	BATTERY PACK 12V	12V 3AH GFN AUTO		No	QW
871	NA132878	1	CHARGER	DCB1104-QW		No	QW